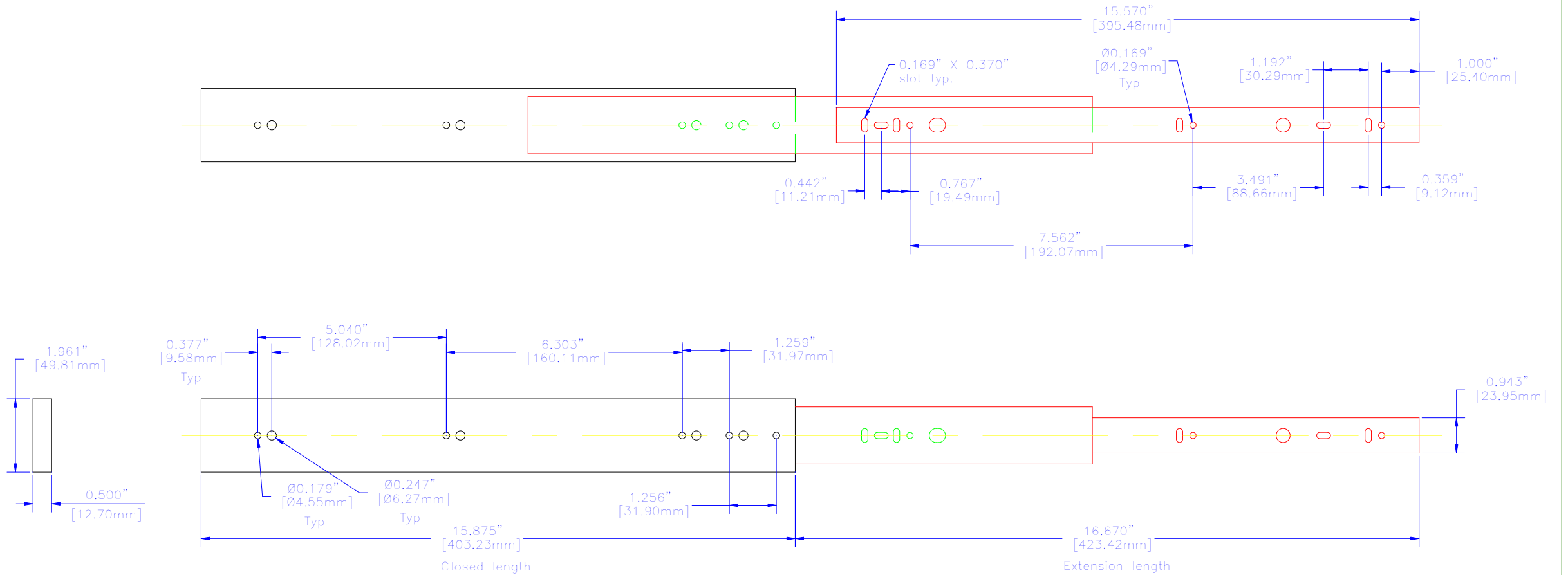


NOTES

Long life ball bearing slides.
 Sold in pairs.
 Weight limit 130 Lbs.
 Comes with assembly hardware, two slides, and two rail brackets.



For the best fit print on legal size paper.

THIS DRAWING IS PROPRIETARY INFORMATION OF HAMMOND MFG. CO. LTD. NOT TO BE USED WITHOUT EXPRESSED WRITTEN PERMISSION OF HAMMOND MFG. CO. LTD.

△	N/A	REVISED SLOT PATTERN	----	03/31/03	M/JN
△	N/A	RELEASE	----	04-11-02	M/JN
Re	EC	Description		Dat	B

Unless otherwise specified dimensions are in inches
 Tolerances are:

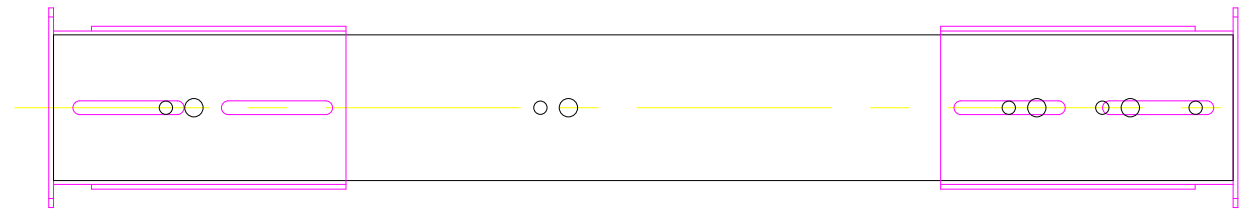
.X	± .1
.XX	± .06
.XXX	± .030
.XXXX	± .0015
Holes	± .0010
Angles	± .5°

Dw	M. MERCER
Dat	04 11 02
Ch	---
Mat	PLATED STEEL
Sheet	1 of 2

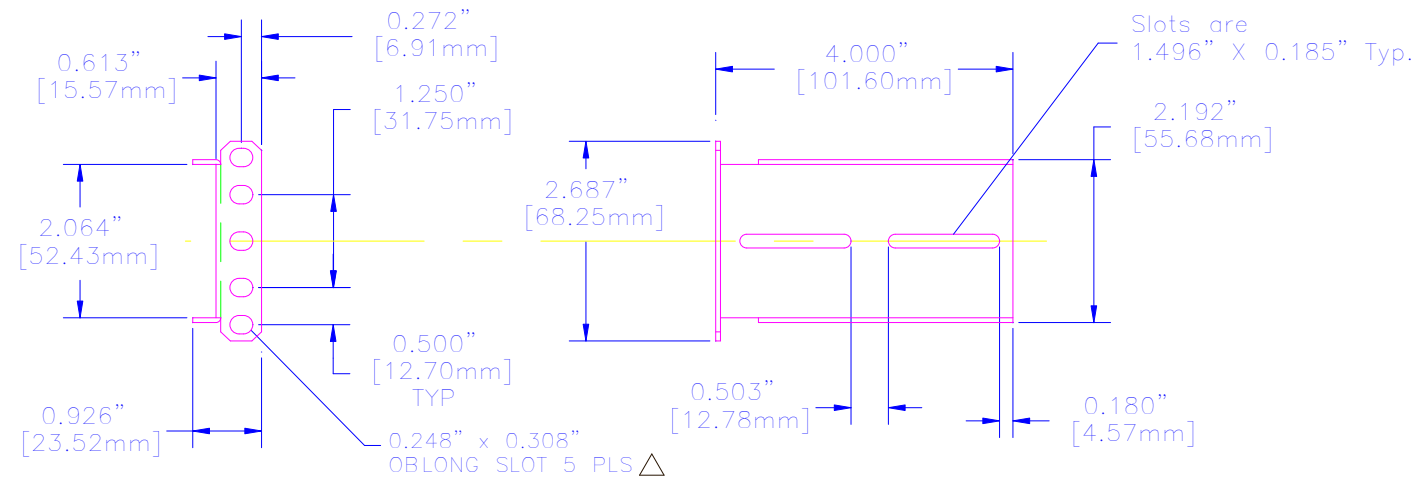
HAMMOND MANUFACTURING CO. LTD. Electronics Group, Waterloo, Ont. - Cheektowaga, NY	
HAMMOND RSLIDE SERIES SLIDED	
Part#	RSLIDE16
Dwg	RSLIDE16/B

NOTES

Long life ball bearing slides.
 Sold in pairs.
 Weight limit 130 Lbs.
 Comes with assembly hardware, two slides, and two rail brackets.



ASSEMBLED VIEW



SLIDE RAIL MOUNT BRACKETS


For the best fit print on legal size paper.

THIS DRAWING IS PROPRIETARY INFORMATION OF HAMMOND MFG.CO.LTD. NOT TO BE USED WITHOUT EXPRESSED WRITTEN PERMISSION OF HAMMOND MFG.CO.LTD.

△	N/A	REVISED SLOT PATTERN	----	03/31/03	MJM
△	N/A	RELEASE	----	04 11 02	MJM
Re	EC	Description		Dat	B

Unless otherwise spec'd dimensions are in inches
 Tolerances are:
 .X ± .1
 .XX ± .06
 .XXX ± .030
 .XXXX ± .0015
 Holes ± .0010
 Angles ± .5°

Dw	M. MERCER
Dat	04 11 02
Ch	---
Mat'	PLATED STEEL
Sheet	2 of 2

 **HAMMOND MANUFACTURING CO. LTD.**
 Electronics Group, Waterloo, Ont. - Cheektowaga, NY

**HAMMOND RSLIDE SERIES
 SLIDED**

Part# RSLIDE16 Dwg RSLIDE16/B